

Two models offer higher design load values and optional installation with the SDS Strong-Drive screw.

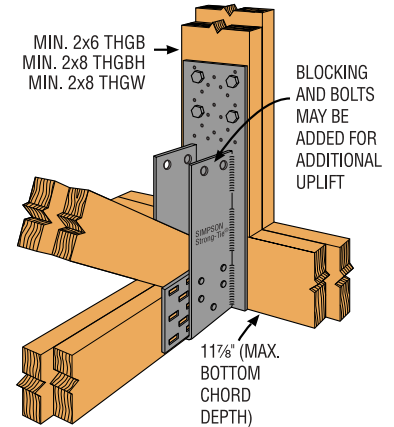
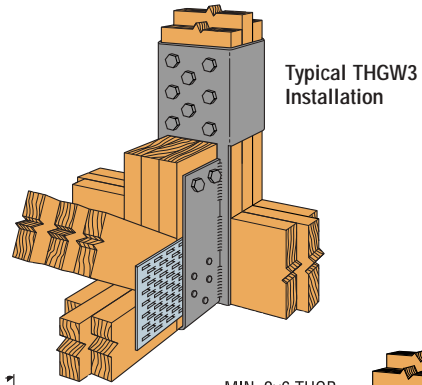
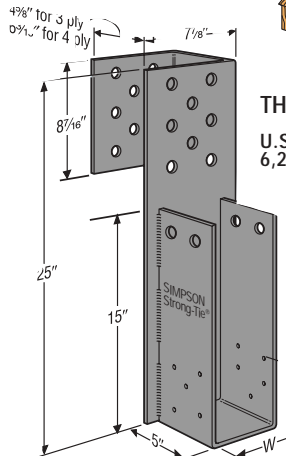
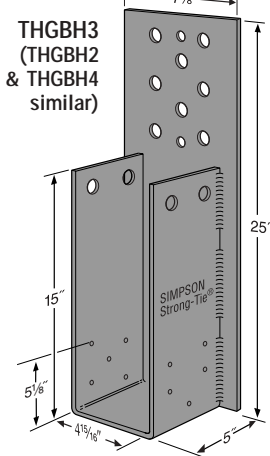
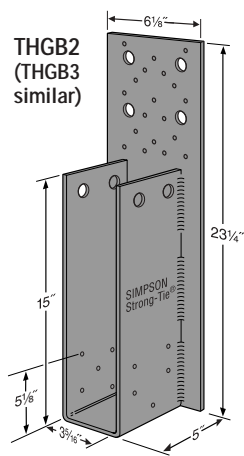
**MATERIAL:** 3 gauge.

**FINISH:** Simpson gray paint.

**INSTALLATION:** • Use all specified fasteners. See General Notes.

- All multiple members must be fastened together to act as a single unit.
- Maximum 1 1/8" bottom chord in the carrying member to allow for the minimum bolt end distance.
- See page 10 for SDS screws.
- For optional installations see page 147.

**CODES:** See page 8 for Code Listing Key Chart.



Typical THGB2 Installation

Model No.	Width (W)	Fasteners		Length of Fastener in Carrying Member	Doug-Fir/So. Pine Allowable Loads					Spruce-Pine-Fir Allowable Loads					Code Ref.
		Carried Member	Carrying Member		Uplift <sup>1</sup> (133/160)	Floor (100)	Snow (115)	Roof (125)	Wind (133)	Uplift <sup>1</sup> (133/160)	Floor (100)	Snow (115)	Roof (125)	Wind (133)	
THGB2	3 3/8	10-10d & 2-3/4" MB	4-3/4" MB	3	7540	5655	6505	7070	7540	6400	4800	5520	6000	6400	
				4 1/2	8010	6235	7170	7795	8315	6650	5775	6640	7220	7235	
				6	8010	6235	7170	7795	8315	6650	5775	6640	7220	7235	
THGB2	3 3/8	10-10d & 2-3/4" MB	19-SDS 1/4" X 3 <sup>2</sup>	3	8010	6385	7340	7980	8510	6650	5550	6380	6935	7200	
				4 1/2	8010	6385	7340	7980	8510	6650	5550	6380	6935	7200	
				6	8010	6385	7340	7980	8510	6650	5550	6380	6935	7200	
THGBH2	3 3/8	10-10d & 2-3/4" MB	8-3/4" MB	3	8010	10010	10010	10010	10010	6650	7745	7950	8090	8200	
				4 1/2	8010	10010	10010	10010	10010	6650	7745	7950	8090	8200	
				6	8010	10010	10010	10010	10010	6650	7745	7950	8090	8200	
THGB3	4 1/8	10-10d & 2-3/4" MB	4-3/4" MB	3	7540	5655	6505	7070	7540	6400	4800	5520	6000	6400	
				4 1/2	8010	6235	7170	7795	8315	6650	5775	6640	7220	7235	
				6	8010	6230	7165	7795	8315	6650	5775	6640	7220	7235	
THGB3	4 1/8	10-10d & 2-3/4" MB	19-SDS 1/4" X 3 <sup>2</sup>	3	8010	6385	7340	7980	8510	6650	5550	6380	6935	7200	
				4 1/2	8010	6385	7340	7980	8510	6650	5550	6380	6935	7200	
				6	8010	6385	7340	7980	8510	6650	5550	6380	6935	7200	
THGBH3	4 1/8	10-10d & 2-3/4" MB	8-3/4" MB	3	8010	10010	10010	10010	10010	6650	8310	8310	8310	8310	160
				4 1/2	8010	12000	12000	12000	12000	6650	9960	9960	9960	9960	
				6	8010	12335	12335	12335	12335	6650	10240	10240	10240	10240	
THGBH4	6 3/8	10-10d & 2-3/4" MB	4-3/4" MB <sup>3</sup>	3	7540	5655	6505	7070	7540	6400	4800	5520	6000	6400	
				4 1/2	8010	6235	7170	7795	8315	6650	5775	6640	7220	7235	
				6	8010	6235	7170	7795	8315	6650	5775	6640	7220	7235	
THGBH4	6 3/8	10-10d & 2-3/4" MB	6-3/4" MB <sup>3</sup>	3	8010	8410	9565	9565	9565	6650	7135	7940	7940	7940	
				4 1/2	8010	9310	9565	9565	9565	6650	7940	7940	7940	7940	
				6	8010	9280	9565	9565	9565	6650	7940	7940	7940	7940	
THGBH4	6 3/8	10-10d & 2-3/4" MB	8-3/4" MB	3	8010	10010	10010	10010	10010	6650	8310	8310	8310	8310	
				4 1/2	8010	12425	14050	14050	14050	6650	11510	11660	11660	11660	
				6	8010	12425	14050	14050	14050	6650	11510	11660	11660	11660	
THGW3-3 <sup>4</sup>	4 1/8	10-10d & 2-3/4" MB	8-3/4" MB	4 1/2	8010	21830	21830	21830	21830	6650	18120	18120	18120	18120	
THGW3-4 <sup>4</sup>	4 1/8	10-10d & 2-3/4" MB	8-3/4" MB	6	8010	21830	21830	21830	21830	6650	18120	18120	18120	18120	
THGW4-3 <sup>4</sup>	6 3/8	10-10d & 2-3/4" MB	8-3/4" MB	4 1/2	8010	24165	24165	24165	24165	6650	20055	20055	20055	20055	
THGW4-4 <sup>4</sup>	6 3/8	10-10d & 2-3/4" MB	8-3/4" MB	6	8010	24165	24165	24165	24165	6650	20055	20055	20055	20055	

1. Uplift loads include a 133% and 160% increase, no further increase allowed; reduce where other loads govern. A 2 ply minimum truss is required. When using 10-10d nails only for carried member, uplift is 1960 lbs for Doug-Fir/So. Pine and 1625 lbs for Spruce-Pine-Fir.  
2. SDS 1/4" X 3 must have a minimum 2 ply member.

3. Bolts must be installed symmetrically when using less than 8 bolts on the 8-bolt backplate.  
4. Loads for THGW models are based on end grain bearing.

5. Minimum fasteners 10-10d will achieve the down loads and the corresponding uplift (see footnote 1). To achieve maximum uplift, install nails and bolts listed in the table.